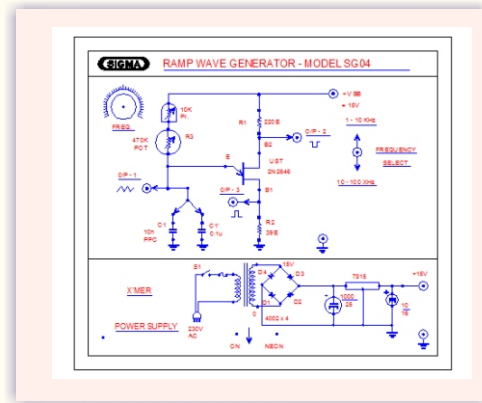




# RAMP WAVE GENERATOR

## MODEL - SG04

This board has been designed with a view to provide practical and experimental knowledge of Ramp Waveform generator on SINGLE PCB.



### SPECIFICATIONS

- Power supply requirement : 230V AC, 50 Hz.
- Built in Regulated Power supply : +15V DC/100 mA.
- Following parts provided on Single PCB with connecting terminals.
- The complete circuit diagram should be is screen printed on component side of the PCB with circuit and Parts at the same place. The true value of component is printed on component side.  
The PCB with components on front side is fitted in elegant wooden box having lock and key arrangement  
The acrylic cover is fitted on PCB to safeguard parts. It has holes for alignment and repair.  
The testing points are provided with 1.25" tags to connect CRO probe All Trainers are operated on 230V AC mains and must be self-contained unit.
- Accessories : A Training Manual  
Connecting patch cord

**Sigma Trainers and Kits**  
E-113, Jai Ambe Nagar,  
Near Udgam School,  
Thaltej,  
AHMEDABAD - 380054.  
**INDIA.**

**Phone(O): +91-79-26852427/ 26850829**  
**Phone(F): +91-79-26767512/ 26767648**  
**Fax : +91-79-26840290/ 26840290**  
**Mobile : +91-9824001168**  
**Email : sales@sigmatrainers.com**  
**: sigmatrainers@sify.com**  
**Web : www.sigmatrainers.com**

**Dealer:-**